

# ENFORCER®

## Elite 3X Vandal Dome Cameras For Flush or Surface Mount

### Installation Manual



**Elite 3X**  
**NVD**  
NIGHT VISION DEVICE

EV-2866-NKGQ	NTSC
EV-2866-PKGQ	PAL

### 3 Cameras in 1:

**DNR**  
3D Digital Noise Reduction

**IR**  
33 Infrared LEDs

**D-WDR**  
Digital Wide Dynamic Range

- 1/3" Sony Super HAD II CCD
- 600 TV Lines
- 12VDC/24VAC
- 2.8~12mm Varifocal lens
- 256x Digital slow shutter
- On-screen display (OSD)



Note: Products with model numbers that end with "Q" or that have a round green "Q" sticker are RoHS compliant.

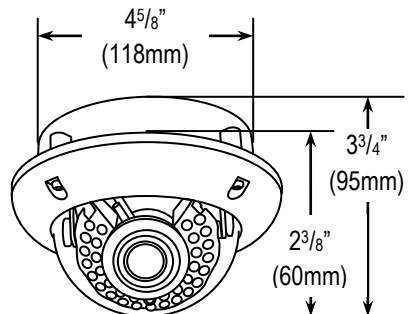
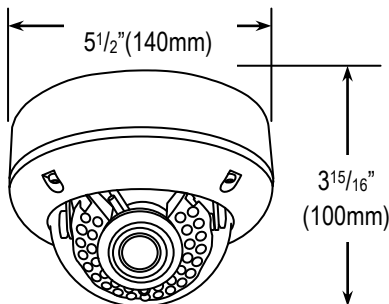
**Specifications:**

	EV-2866-NKGQ	EV-2866-PKGQ
Type	IR LED Dome Camera	
Video Output Mode	NTSC	PAL
Pickup Element	1/3" Sony Super HAD II CCD	
Resolution	600 TV Lines	
Lens (Varifocal)	2.8~12mm	
# of Infrared LEDs	33 (850nm)	
Effective Pixels	768x494 pixels	752x582 pixels
Video Output	1Vp-p composite video, 75Ω	
Minimum Illumination	0.00006 Lux (LEDs ON) 0.05 Lux (LEDs OFF)	
S/N ratio	>52dB (AGC OFF)	
On Screen Display (OSD)	Built-in and controlled by internal joystick	
Motion Detection	4 zones	
Backlight Compensation	HLC/BLC/Off	
White Balance	ATW / AWC / MANUAL	
Digital Slow Shutter (DSS)	256x	
Electronic Shutter	Auto/Manual (adjustable range: 1/60~1/120,000 sec)	
Auto Gain	Selectable: Low, Middle, High, Off	
3-DNR (DNR with 3D filtering)	On/Off	
Day & Night (color)	Selectable: Color, Auto, B/W	
Sharpness	On/Off (adjustable range: 0~31)	
Privacy	On/Off (8 programmable zones)	
IP Rating	IP68	
Operating Voltage	12VDC/24VAC Dual Voltage	
Current Draw	LEDs OFF	12VDC: 200mA / 24VAC: 3.6W
	LEDs ON	12VDC: 500mA / 24VAC: 9W
Operating Temperature	-14°~122° F (-10°~50° C)	
Dimensions	5 1/2"x3 15/16" (140x100 mm)	
Weight	With base: 2-lb 10-oz (1,191g)	
	Without base: 1-lb 15-oz (879g)	

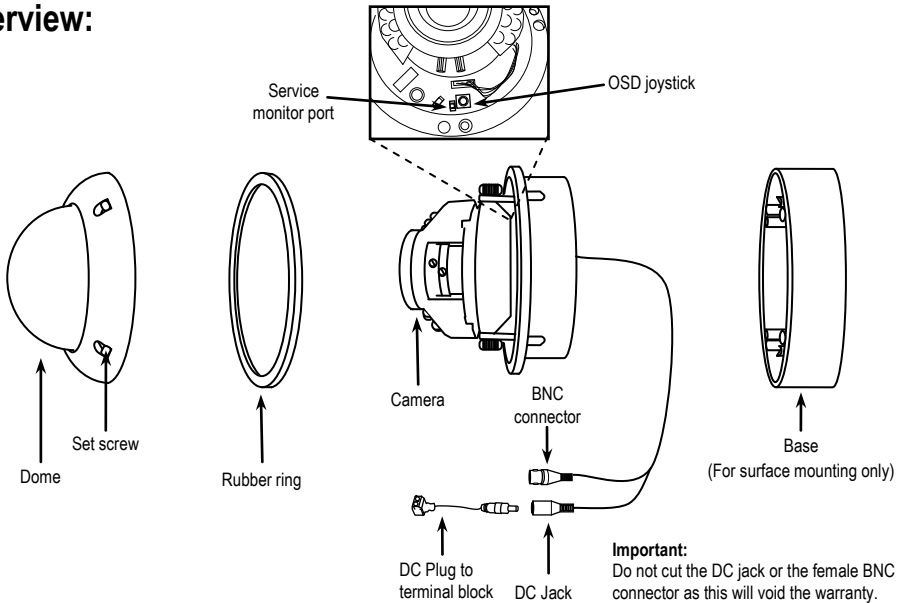
**Parts List:**

- |                |                          |                                    |
|----------------|--------------------------|------------------------------------|
| 1 x Manual     | 4 x Hex screws           | 1 x Service monitor port connector |
| 1 x Camera     | 4 x Mounting screws      | 1 x DC plug with terminal block    |
| 1 x Hex wrench | 4 x Base-mounting screws | 1 x Flush-mounting template        |

**Dimensions:**



## Overview:



## Before Starting:

1. Please read this manual carefully and keep it for future reference.
2. Use the camera within given temperature and electrical limits.
3. Do not aim the LEDs directly at the eyes when the LEDs are on.
4. Do not point the camera at the sun. Heat could damage the camera, even when not in use.
5. Do not mount the camera in areas exposed to radiation, strong magnetic fields, or strong electrical signals.
6. Do not open or disassemble the camera. There are no field-serviceable parts inside.
7. Do not drop the camera or subject it to strong vibrations.

## Installation:

1. Run hidden cables from the video source and power supply and connect to the camera. **Do not cut the DC jack or female BNC connector as this will void the warranty. If needed, use the included SECO-LARM DC plug with terminal block.**
2. Test the voltage from the power supply. Use 12VDC or 24VAC.
3. Undo the hex screws on the side of the dome using the included allen wrench and remove the dome and the rubber ring from the camera and base.
4. **For surface mounting:** Hold the camera against the wall, ceiling, or other mounting surface while watching the monitor to find the best mounting location. Mark that location with a pencil. Mount the base to the wall or ceiling using the four included mounting screws. If the wall is made of brick, drywall, or similar material, it may be necessary to use screw anchors (not included). Mount the camera to the base using the base-mounting screws.

### For flush mounting:

1. Use the included mounting template as a guide to drill the necessary holes. Insert the camera into the hole. Mount the camera to the wall using the four included mounting screws.
2. Adjust the camera angle as needed. Use the OSD control joystick to adjust the camera settings (See the OSD manual). Connect a service monitor to the service monitor port connector for on-site adjustments.
3. To adjust zoom and focus, loosen the lock knobs by hand or with a screwdriver. Slide left or right to adjust. **Do not use power tools. Lens damage may result**
4. Replace the rubber ring on the camera.
5. Reattach the dome to the camera.
6. Use the included allen wrench to tighten the set screw, securing the dome to the base.
7. Do a final test of the video camera and monitor.

## Troubleshooting:

---

The screen is blank.	<ul style="list-style-type: none"><li>• Check that the camera is powered up.</li><li>• Check that the power supply's polarity is correct.</li><li>• Check that the monitor is powered up.</li><li>• Check that the video cable connecting the camera to the monitor is connected properly.</li></ul>
The screen image is dim	<ul style="list-style-type: none"><li>• Clean the lens using a soft, clean cloth.</li><li>• Check that the light source is adequate.</li></ul>
The screen image has poor contrast.	<ul style="list-style-type: none"><li>• Adjust the monitor's contrast knob.</li><li>• Change the position of the camera.</li></ul>
The screen image flickers.	<ul style="list-style-type: none"><li>• Change the position of the camera.</li></ul>
The screen image is distorted.	<ul style="list-style-type: none"><li>• Change the position of the camera.</li></ul>
The camera case is hot.	<ul style="list-style-type: none"><li>• Check that the correct power supply is in use.</li></ul>
IR LEDs do not turn on.	<ul style="list-style-type: none"><li>• Check that the correct power supply is in use.</li></ul>

---

### IMPORTANT

Users and installers of this product are responsible for ensuring this product complies with all national, state, and local laws and statutes related to monitoring and recording audio and video signals. SECO-LARM will not be held responsible for the use of this product in violation of any current laws or statutes.

---

### WARNING

Stop using the camera if you see a malfunction such as smoke or unusual heat, as it could cause fire or electric shock. Do not open the case of this device, as there are no field-serviceable components inside.

---

### FCC COMPLIANCE STATEMENT

Information to the user: This equipment has been tested and found to comply with the limits for a class B digital device, pursuant to part 15 of the FCC rules. These limits are designed to provide reasonable protection against harmful interference when the equipment is operated in a commercial environment. This equipment generates, uses, and can radiate radio frequency energy and, if not installed and used in accordance with the instruction manual, may cause harmful interference to radio communications. Operation of this equipment in a residential area is likely to cause harmful interference in which case the user will be required to correct the interference at his or her own expense.

---

**WARRANTY:** This SECO-LARM product is warranted against defects in material and workmanship while used in normal service for a period of three (3) years from the date of sale to the original customer. SECO-LARM's obligation is limited to the repair or replacement of any defective part if the unit is returned, transportation prepaid, to SECO-LARM.

This Warranty is void if damage is caused by or attributed to acts of God, physical or electrical misuse or abuse, neglect, repair or alteration, improper or abnormal usage, or faulty installation, or if for any other reason SECO-LARM determines that such equipment is not operating properly as a result of causes other than defects in material and workmanship.

The sole obligation of SECO-LARM and the purchaser's exclusive remedy, shall be limited to replacement or repair only, at SECO-LARM's option. In no event shall SECO-LARM be liable for any special, collateral, incidental, or consequential personal or property damages of any kind to the purchaser or anyone else.

---

### NOTICE

The information and specifications printed in this manual are current at the time of publication. However, the SECO-LARM policy is one of continual development and improvement. For this reason, SECO-LARM reserves the right to change specifications without notice. SECO-LARM is also not responsible for misprints or typographical errors.

Copyright © 2011 SECO-LARM U.S.A., Inc. All rights reserved. This material may not be reproduced or copied, in whole or in part, without the written permission of SECO-LARM.

---

### SECO-LARM® U.S.A., Inc.

16842 Millikan Avenue, Irvine, CA 92606

Tel: 800-662-0800 / 949-261-2999 Fax: 949-261-7326

Website: [www.seco-larm.com](http://www.seco-larm.com)

E-mail: [sales@seco-larm.com](mailto:sales@seco-larm.com)



MI-EV-2866-XL-GxQ\_1110.docx